

Installation Instructions

I - Sheet Number INS-HS133 Rev.A



Hood Shield

**For proper installation and best possible fit, please read all instructions BEFORE you begin.
For technical assistance or to obtain missing parts, please call Customer Relations at 1-800-344-8759.**

Important Safety Information



- CAUTION - Before driving, ensure that the hood shield is properly secured to vehicle.
- Do not use automatic "brush-style" car washes.
- Do not use cleaning solvents of any kind.
- Periodically check all components for tightness.

Contents

NOTE: Actual product may vary from illustration.



Hood shield



Alcohol pad x2



Self Tapping screw x4



Machine Screw x2
(04-4128)



Bracket x2
(39-1956)



Protective Film x2
(45-3601)



Aluminium Flat
Washer x4



Black Plastic
Washer x2
(37-4106)



Bump On x4
(98024)

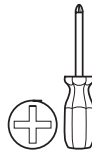
Tools Required



Car Wash Supplies



Clean Towel



Phillips
screwdriver



Grease pencil

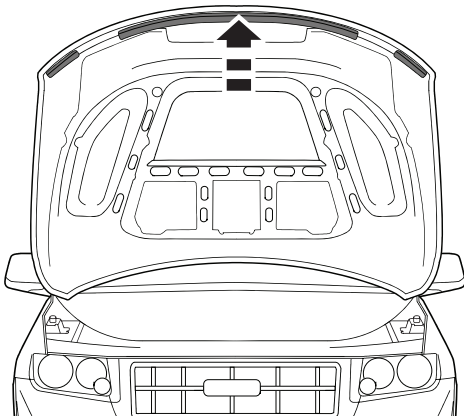
Preparation Before Painting / Installation

- A trial fit is recommended to ensure proper positioning and fit.
- Check fit of parts before painting as we will not accept the return of modified or painted parts.
- Wash and dry your vehicle to remove any debris and/or dirt from the installation area.

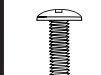
Installation Steps

NOTE: Actual application may vary slightly from illustrations.

Open hood.

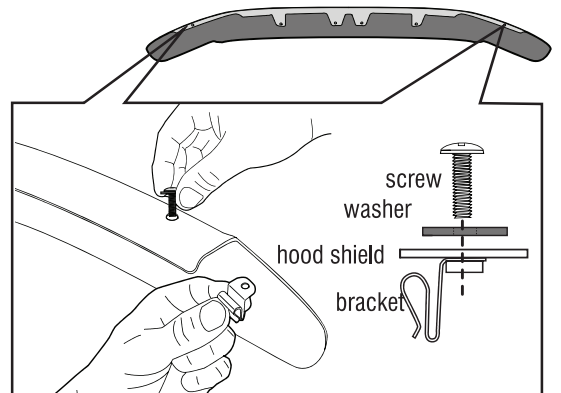


1



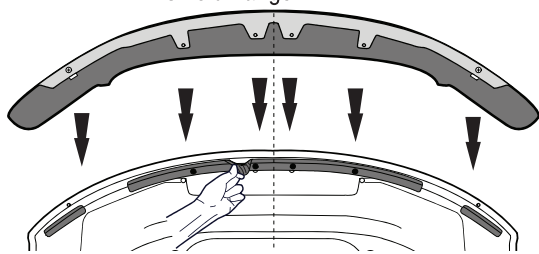
2

Install (2) brackets on hood shield flange using (2) machine screws and (2) black plastic washers.



Installation Steps **NOTE:** Actual application may vary slightly from illustrations.

Remove (6) plastic seal retaining fasteners that align with the pre-drilled holes in the hood shield. Next, carefully separate the hood seal / gasket from the areas of the hood that align with the hood shield flange.

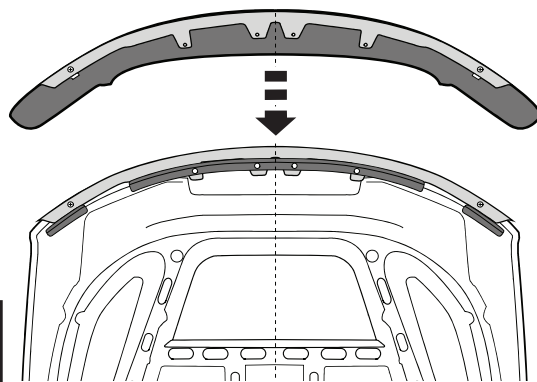


3



NOTE: Exercise extreme caution not to tear or damage the hood seal / gasket when separating from hood.

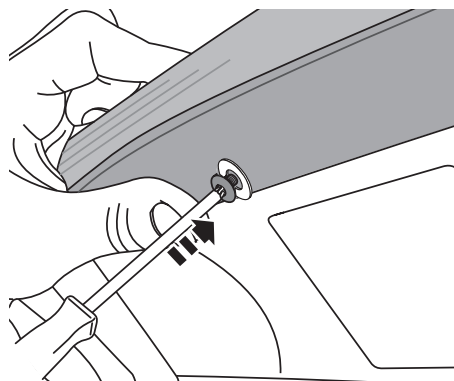
Reposition the hood shield with the tabs sliding between the hood and rubber seal and align with holes.



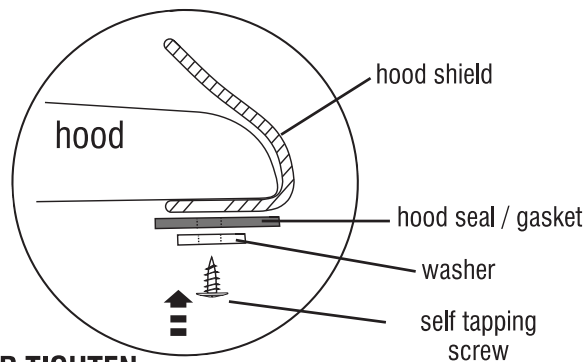
4



Insert (4) screws and washers through the rubber gasket, hood shield, and into the hood. Securely tighten.



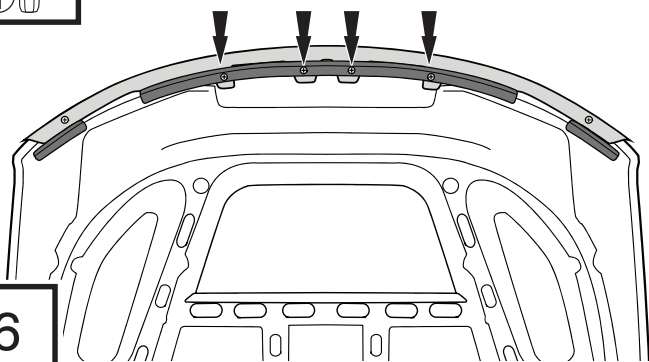
5



DO NOT OVER TIGHTEN



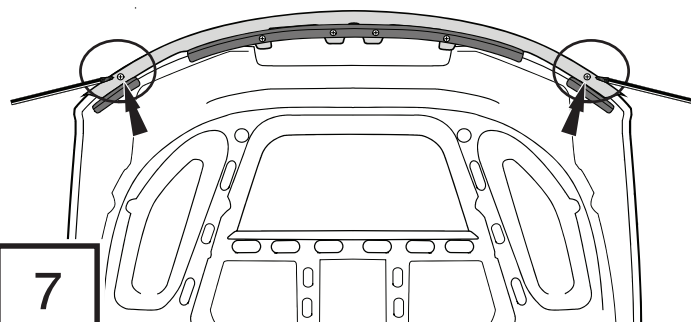
Tighten all (4) fasteners until snug to secure hood shield to hood.



6



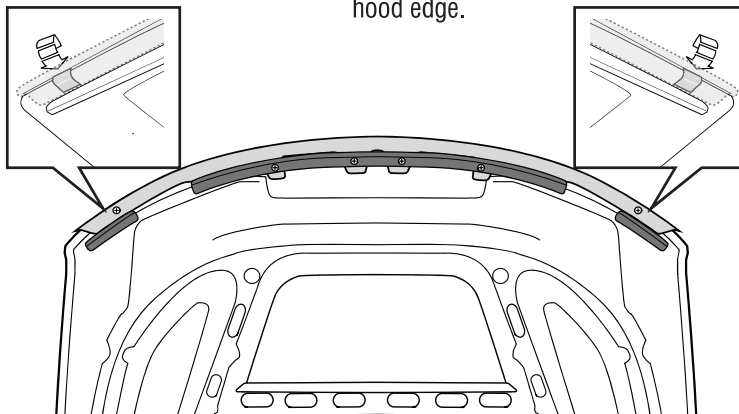
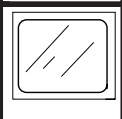
Note the location where the brackets will align with hood edge and mark with a grease pencil.



7



Clean the area with an alcohol pad. Center a piece of protective film over each grease pencil mark, and wrap around the hood edge.

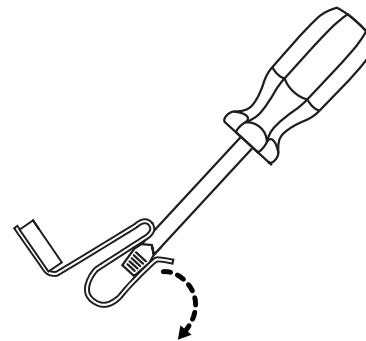
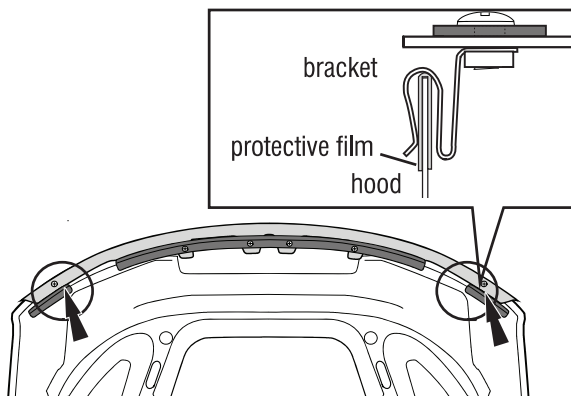


8

Installation Steps **NOTE:** Actual application may vary slightly from illustrations.

Slide each end bracket over hood edge, ensuring that each is centered on the protective film previously installed.

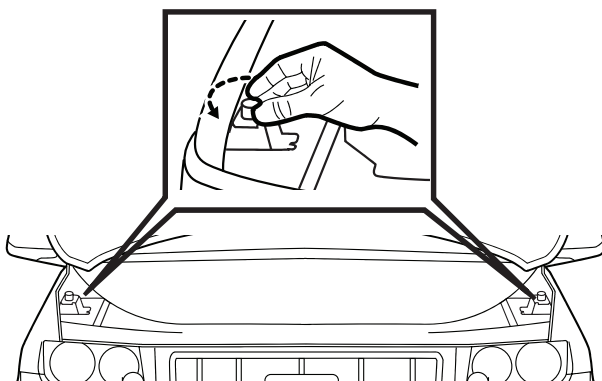
9



Adjust as needed.

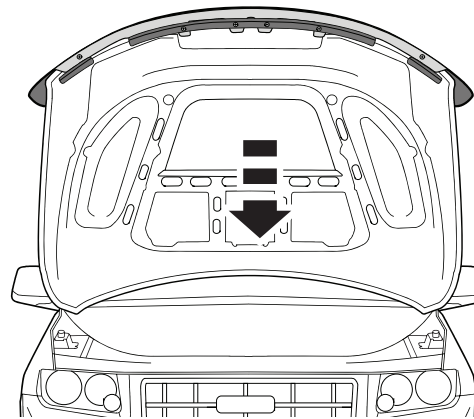
Turn both of the hood bumpers counter clockwise 1 1/2 turns.

10

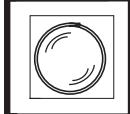


Close Hood.

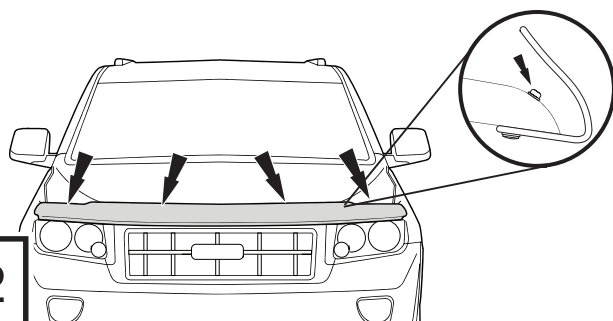
11



Apply (4) bump ons to surface of hood.



12



Care and Cleaning

- Wash only with mild soap & dry with a clean cloth.



The material that your product is made from can be recycled. Please also consider recycling the packaging that your product came in.



Congratulations!

You have purchased one of the many quality Husky® branded products. We take the utmost pride in our products and want you to enjoy years of satisfaction from your investment. We have made every effort to ensure that your product is top quality in terms of fit, durability, finish and ease of installation.



1-800-344-8759 • Visit us at huskyliners.com

© 2024 Husky Liners, Inc. All rights reserved.

Husky® and the Husky® logo are trademarks of Husky Liners, Inc.